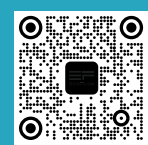


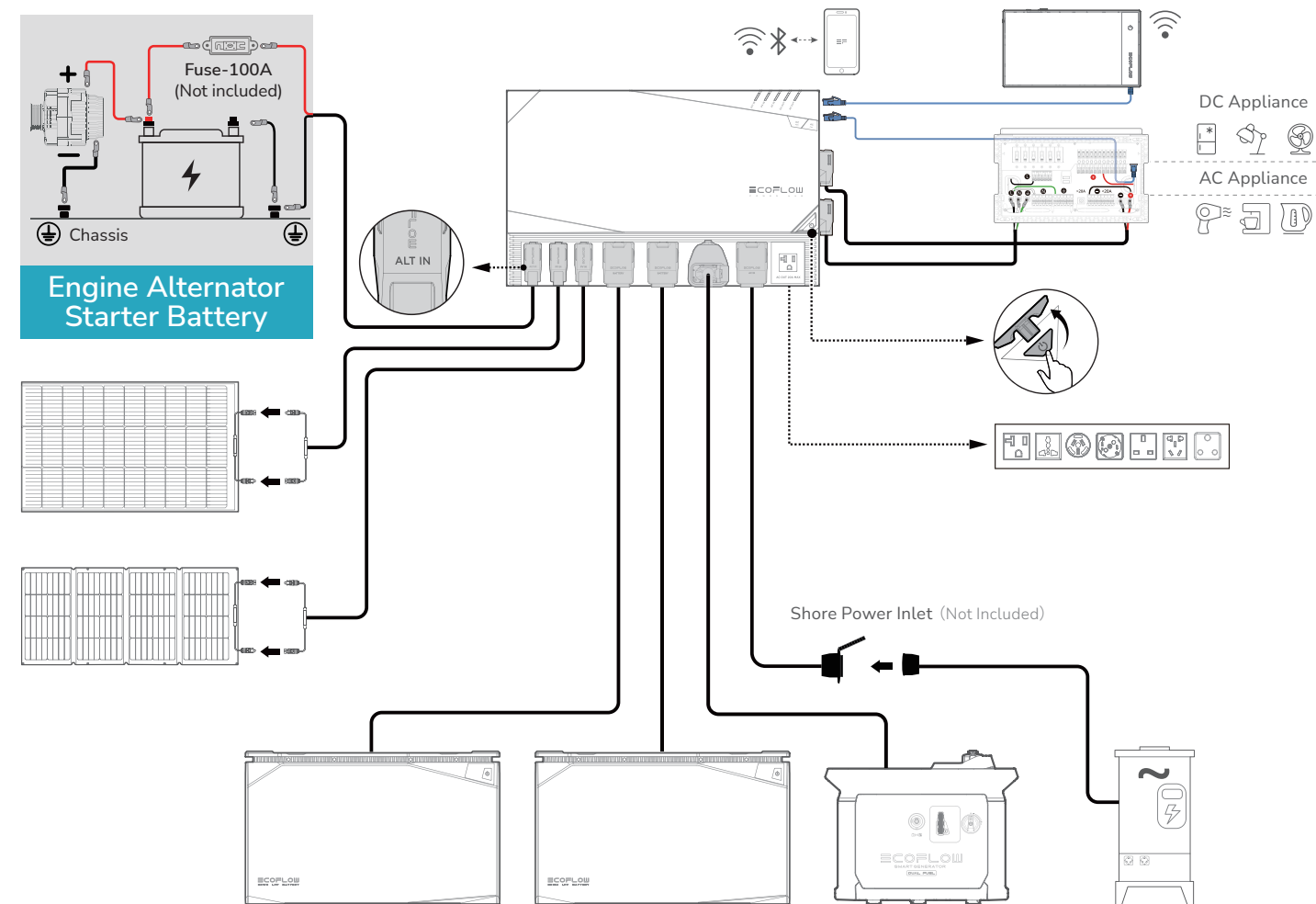
ECOFLOW

QUICK START GUIDE

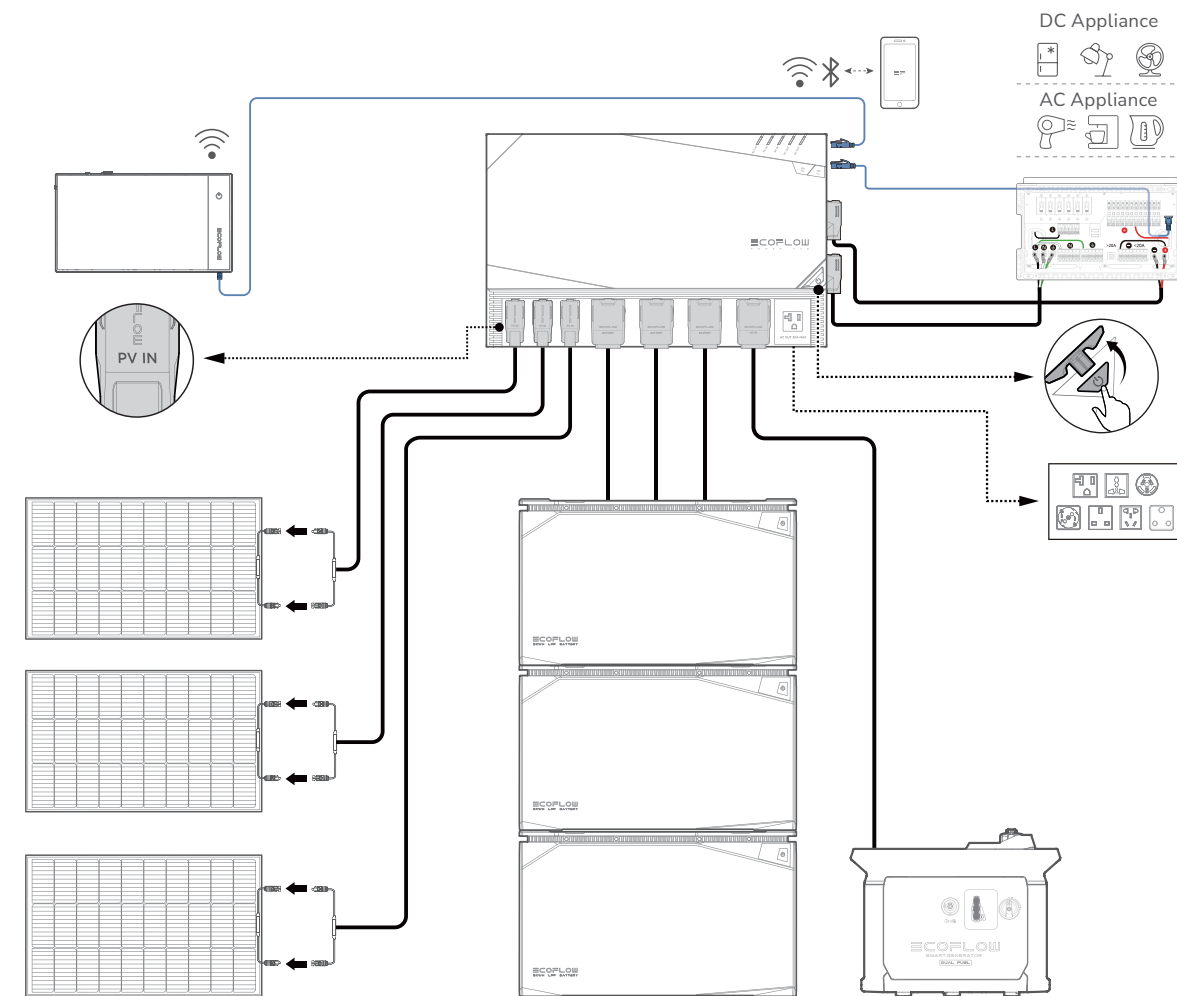


For details, please scan the QR code or visit <https://www.ecoflow.com/support/download/power-kits>

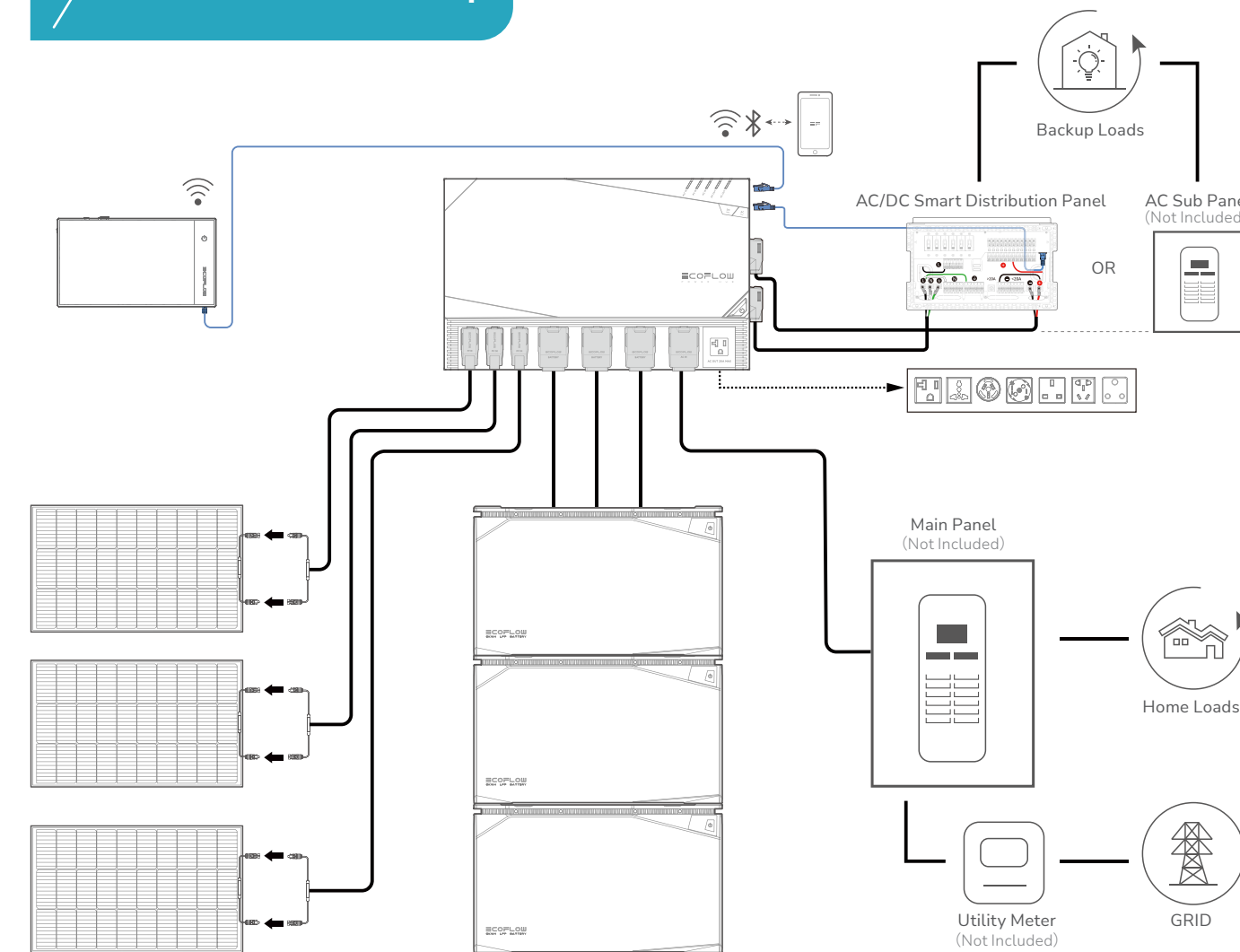
Recreational Vehicle (RV)



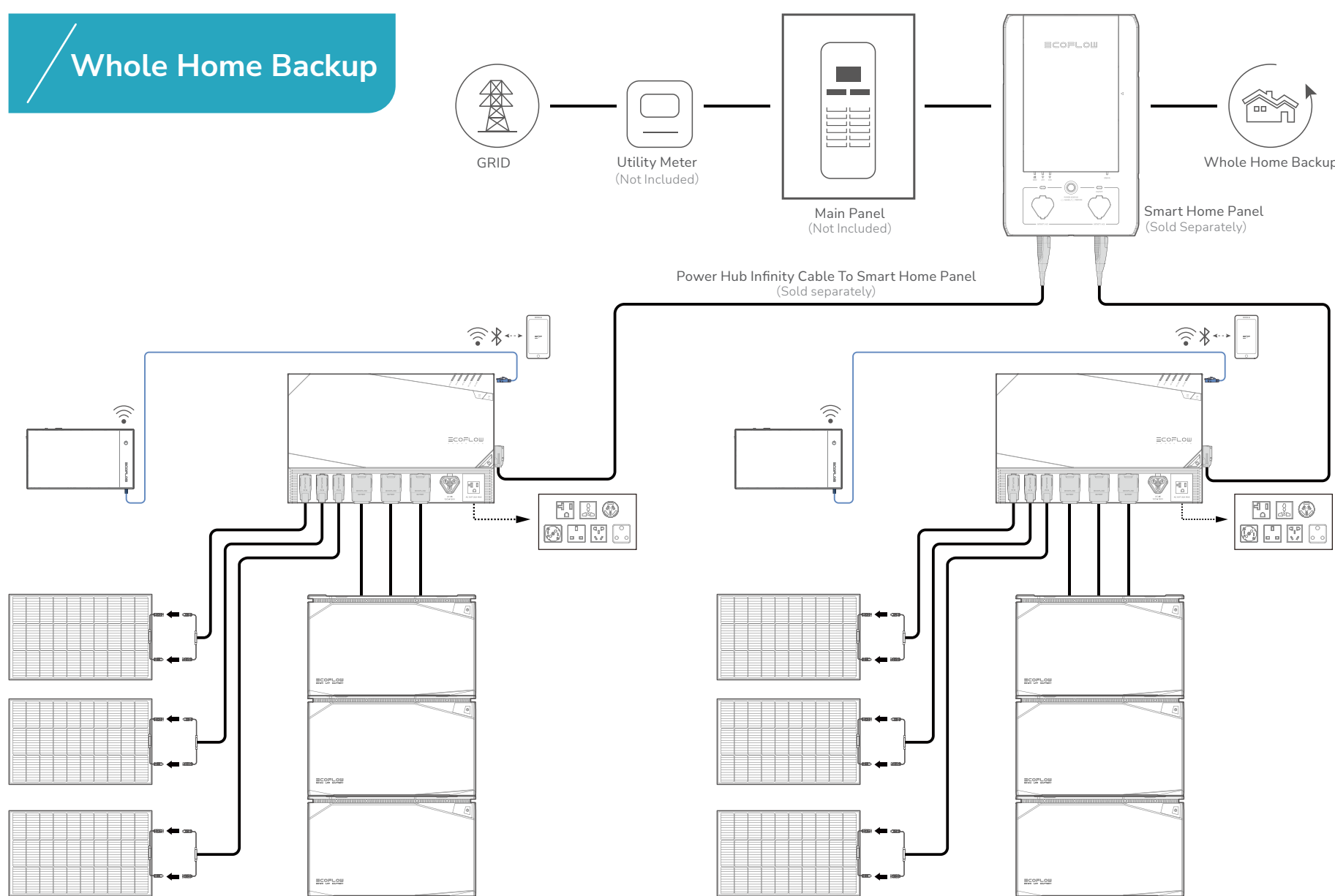
Off Grid Builds / Self Consumption



Partial Home Backup



Whole Home Backup

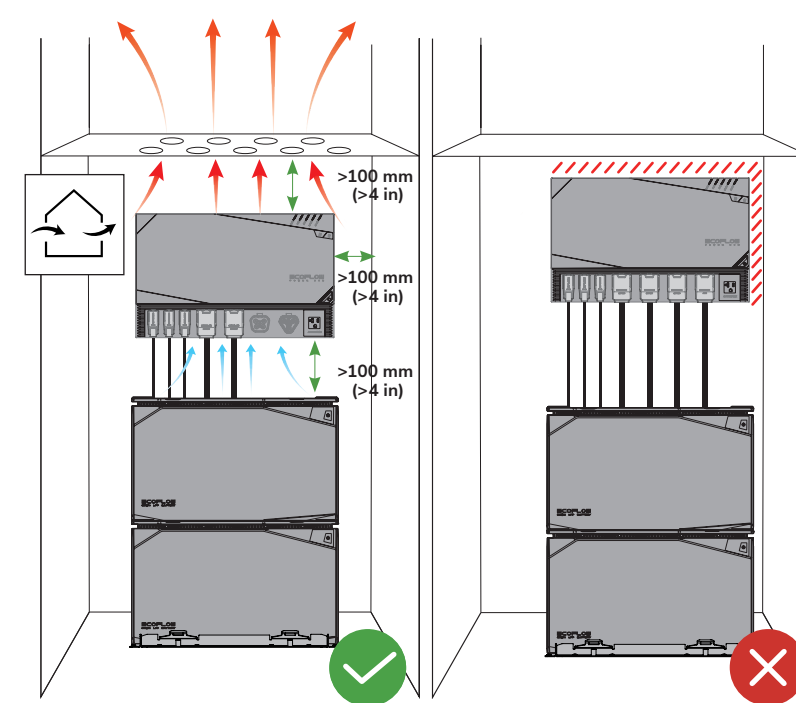


1 / Power Hub

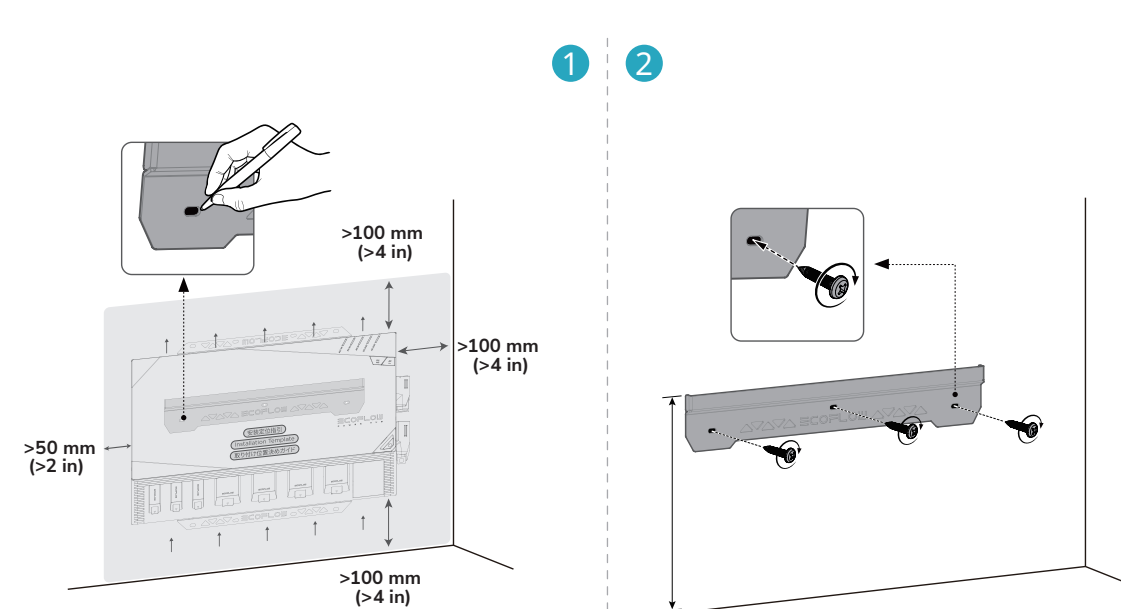
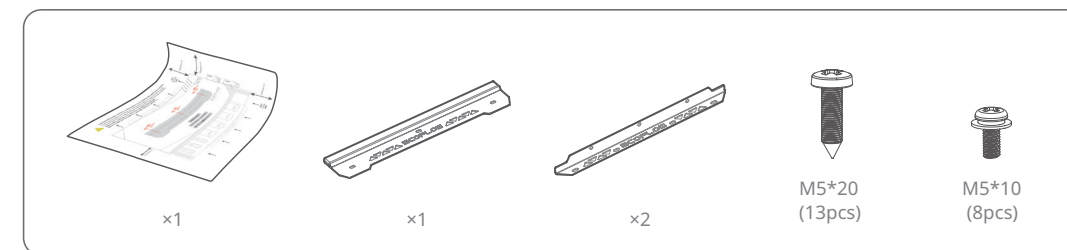


Ventilation is a MUST to prevent the Power Hub from overheating.

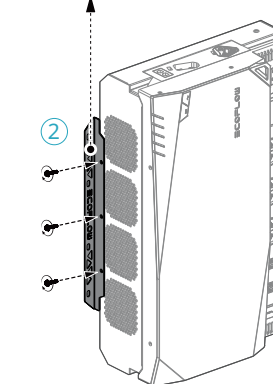
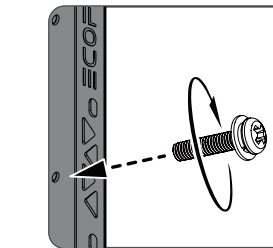
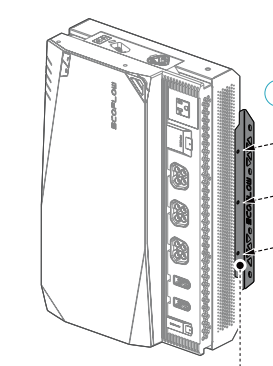
CAUTION!



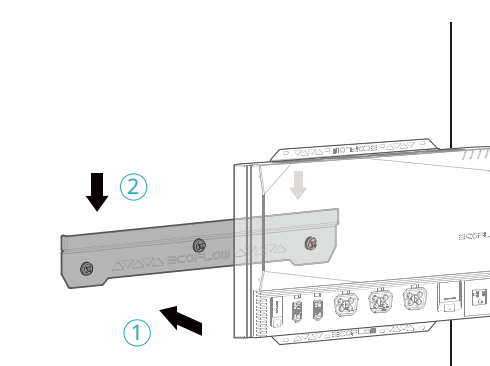
Wall Mounting



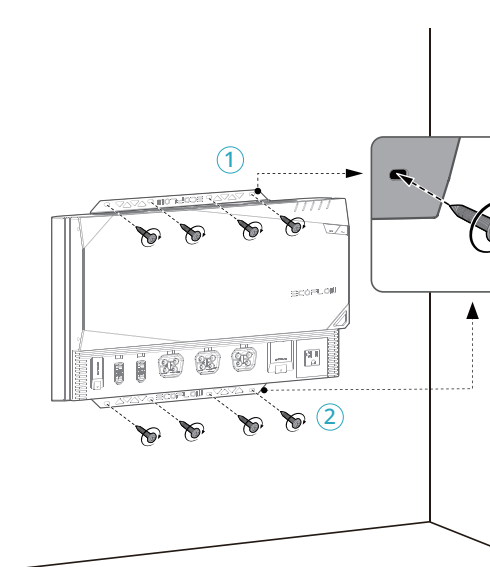
3



4

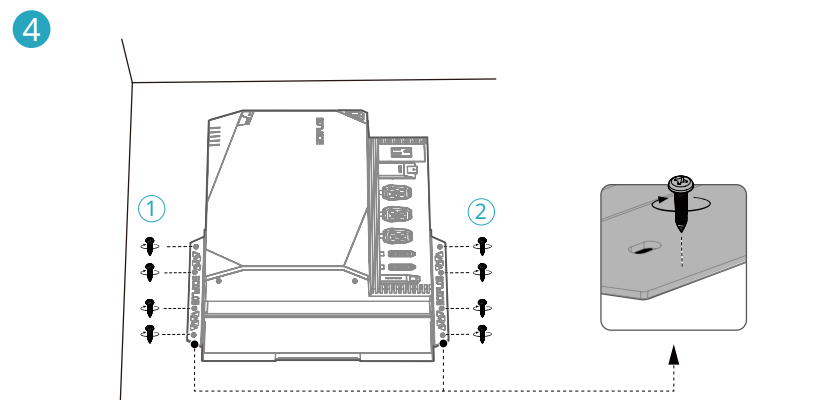
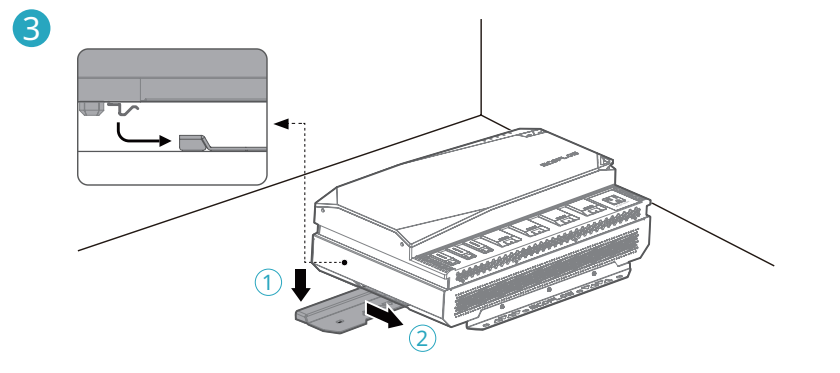
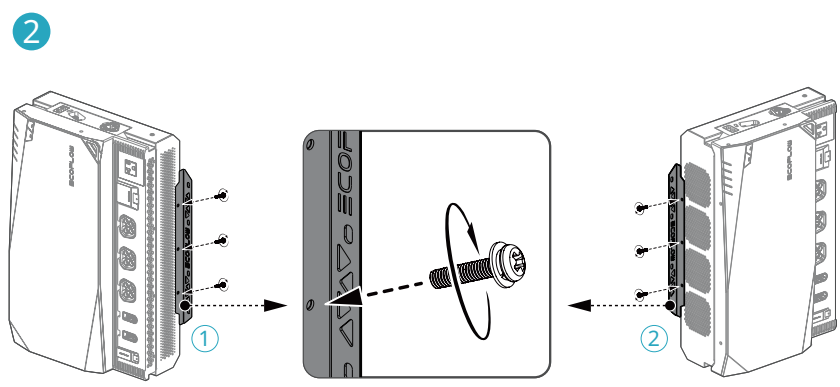
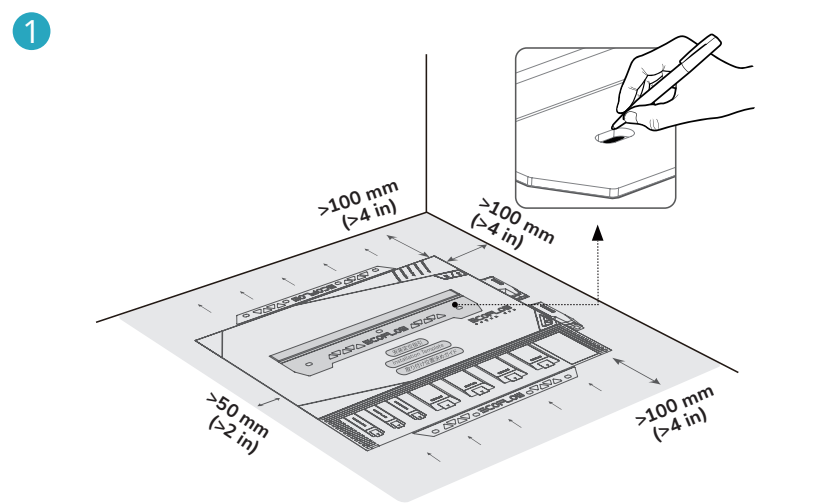
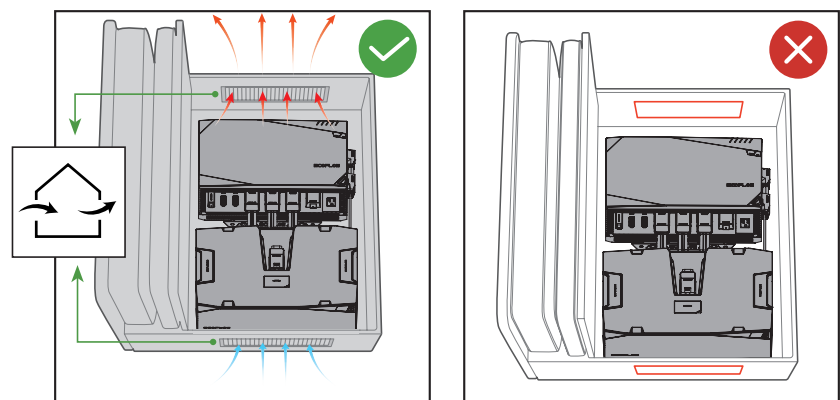


5

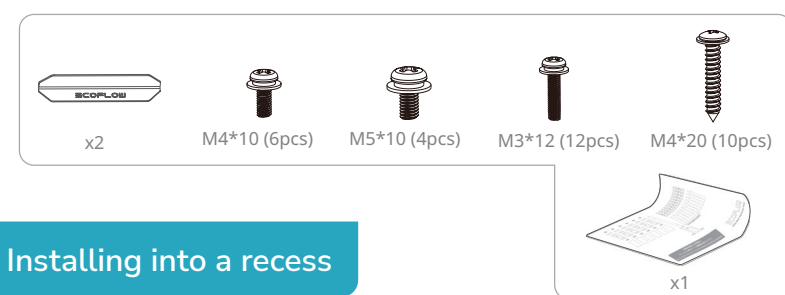


Surface Mounting

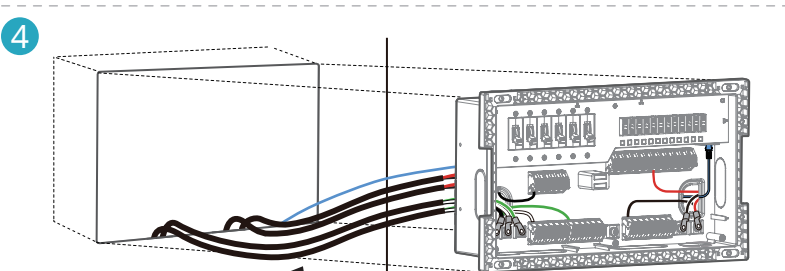
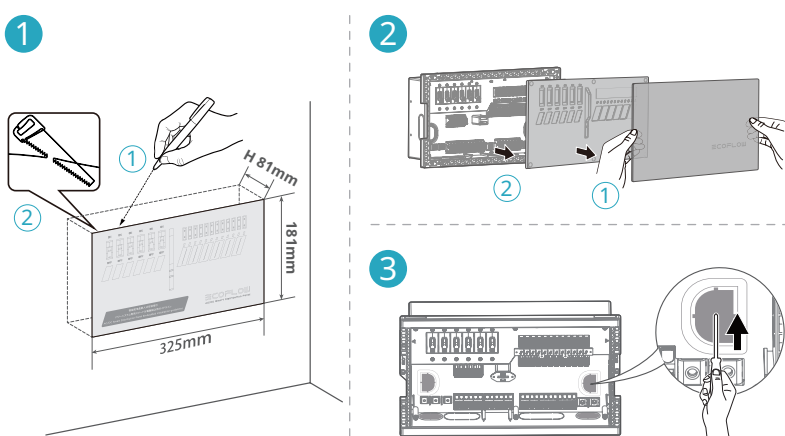
CAUTION!



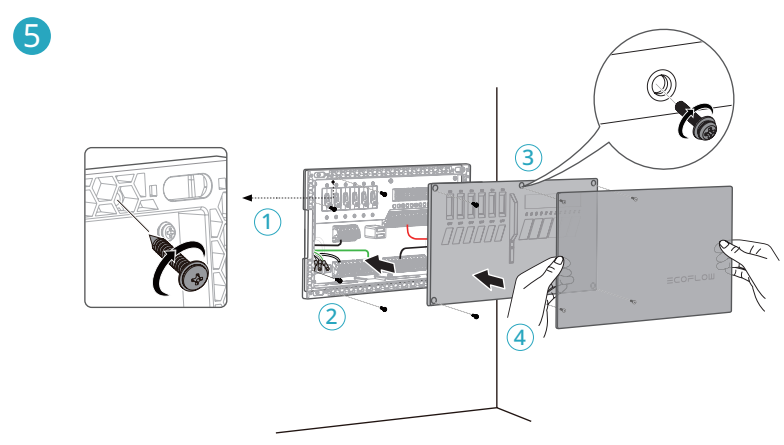
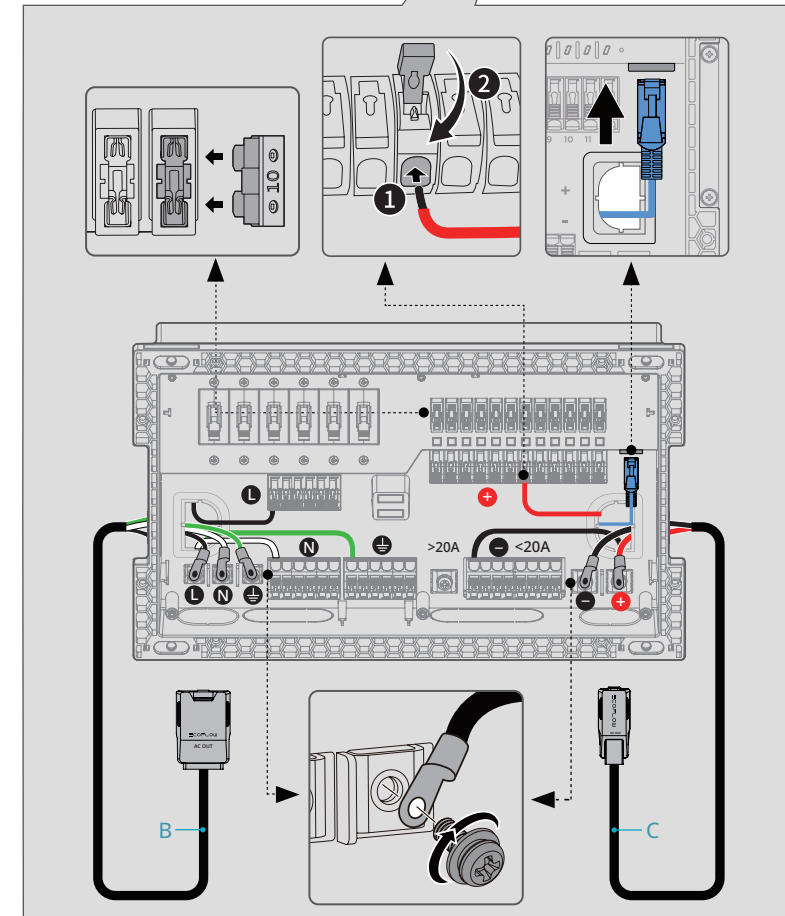
2 / AC/DC Smart Distribution Panel



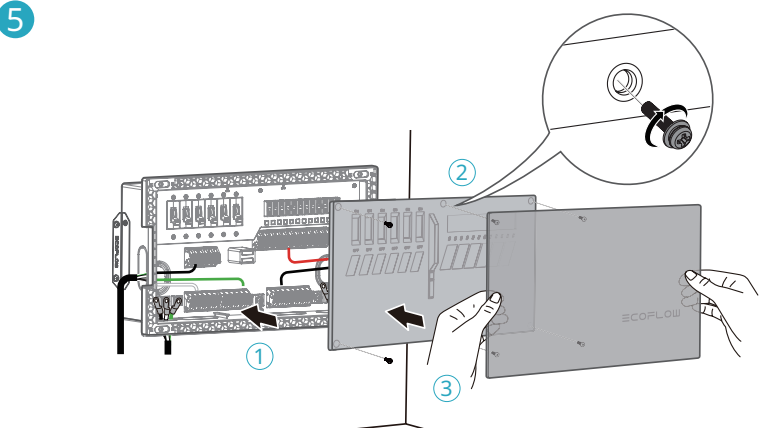
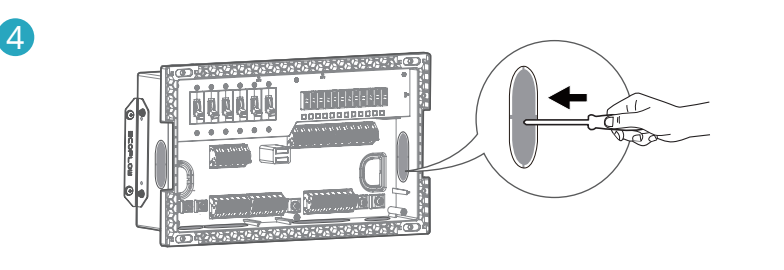
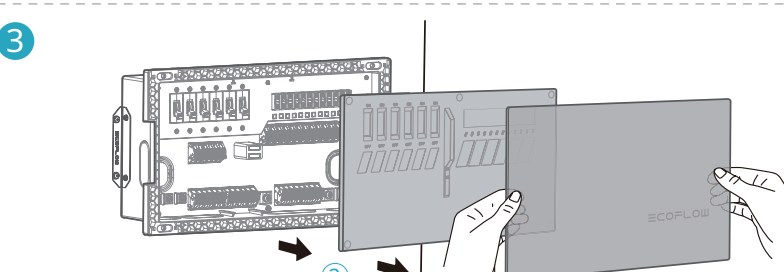
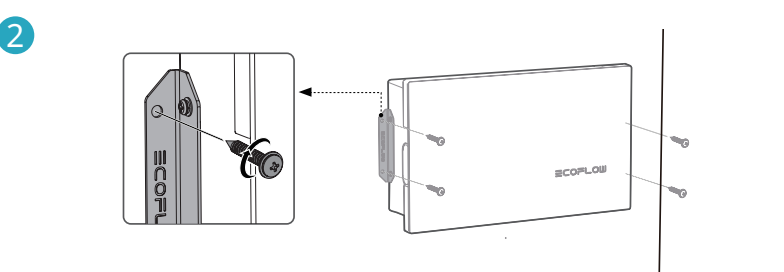
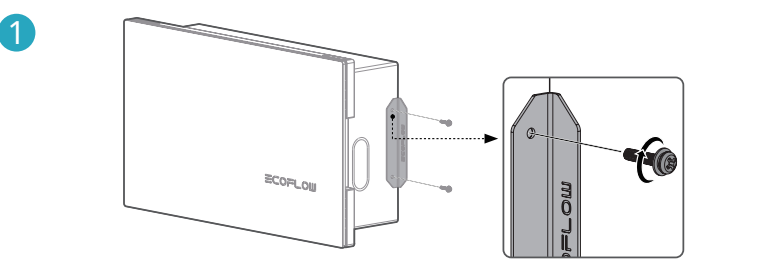
Installing into a recess



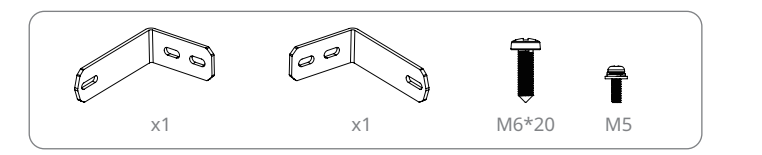
	L	N	E
US JP	●	○	●
DE FR UK IT ES	●	●	●



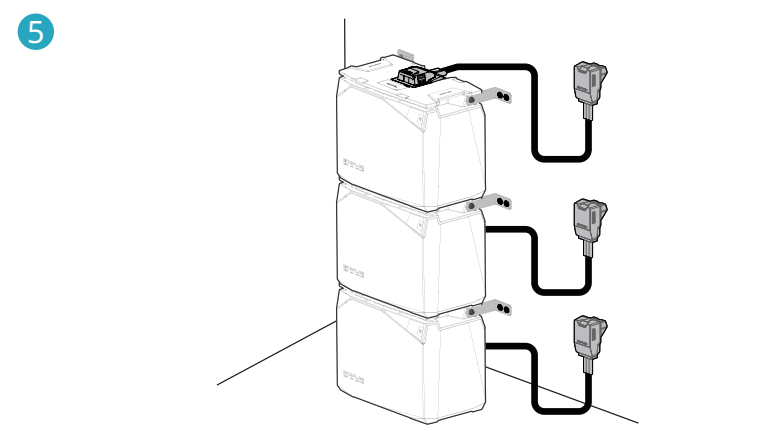
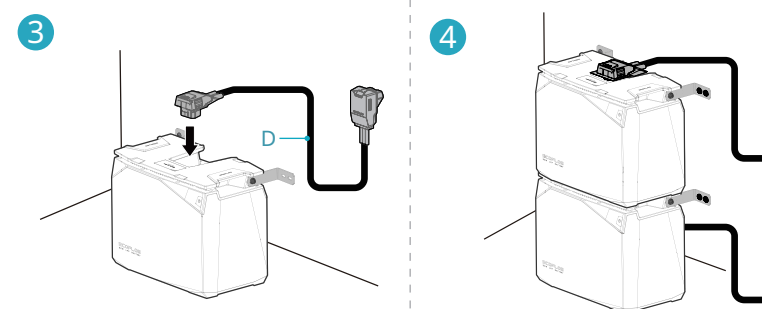
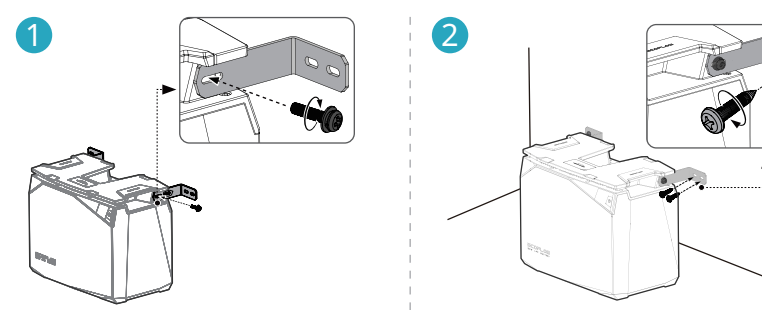
Wall Mounting



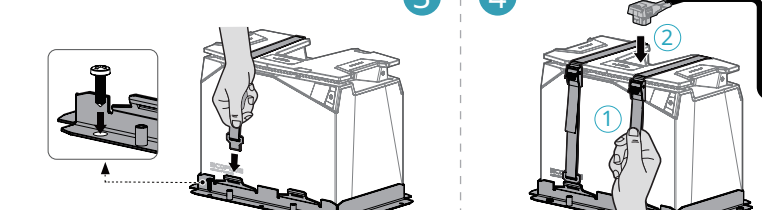
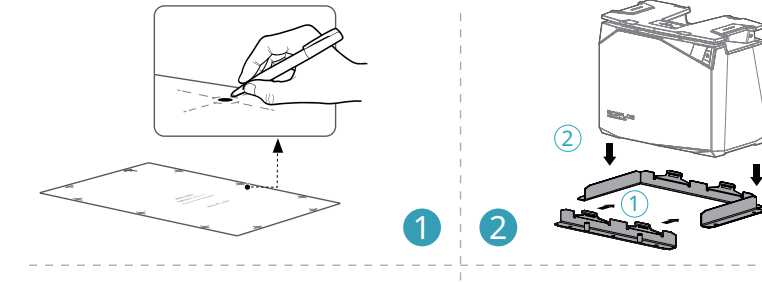
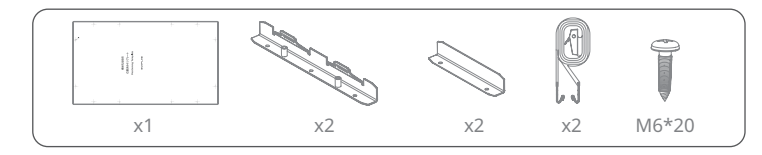
3 / 2KWh / 5KWh LFP Battery



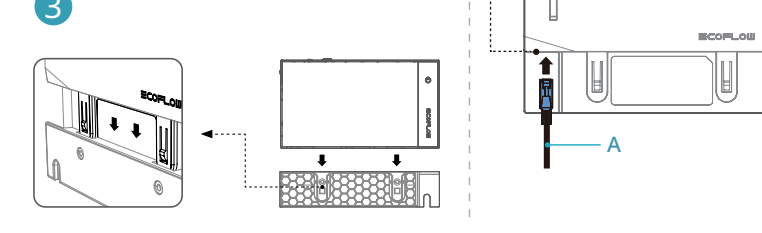
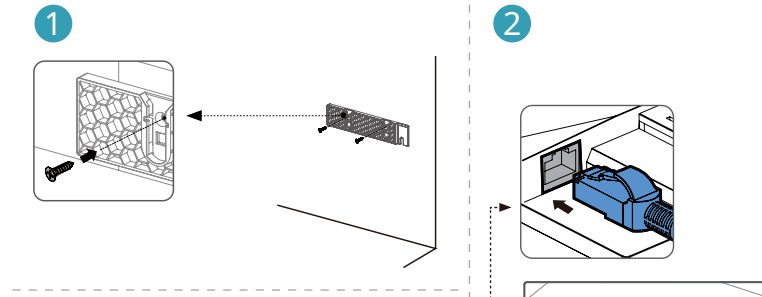
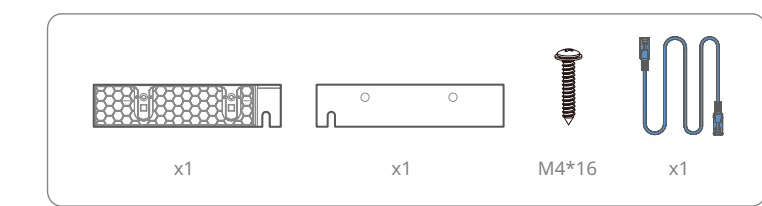
Stacking Installation



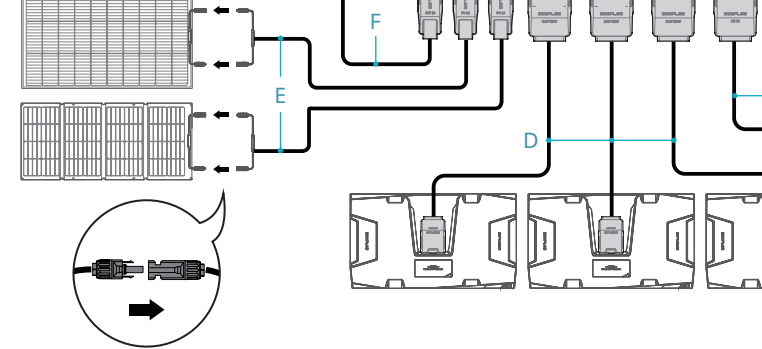
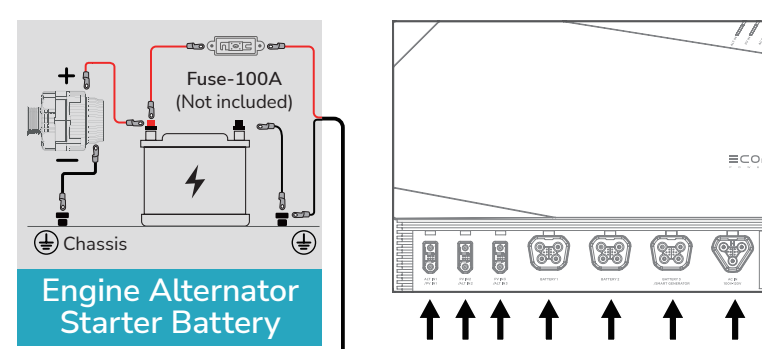
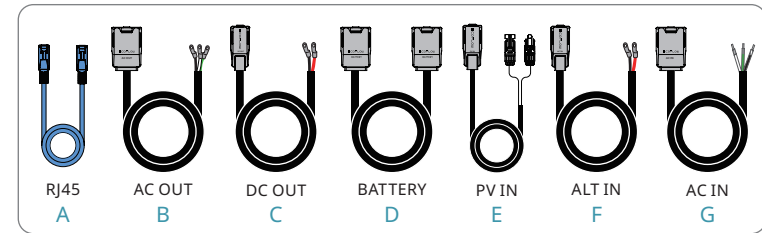
Surface Mounting



4 / Power Kit Console

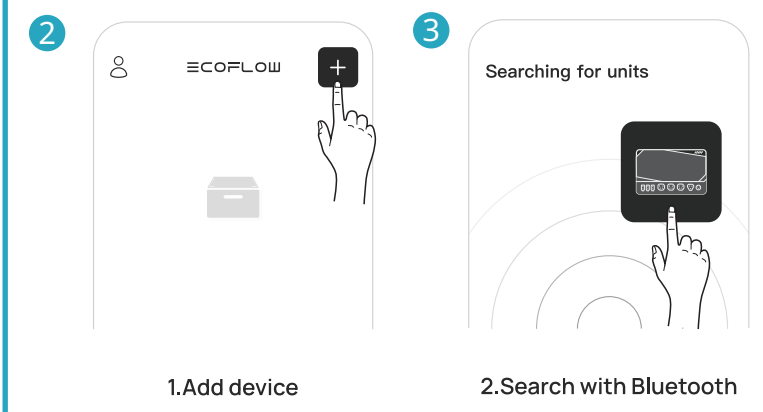
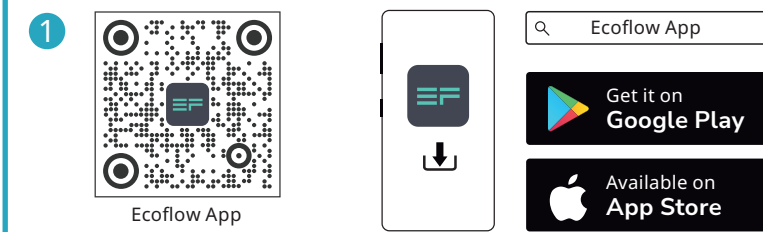


5 / Connecting Components

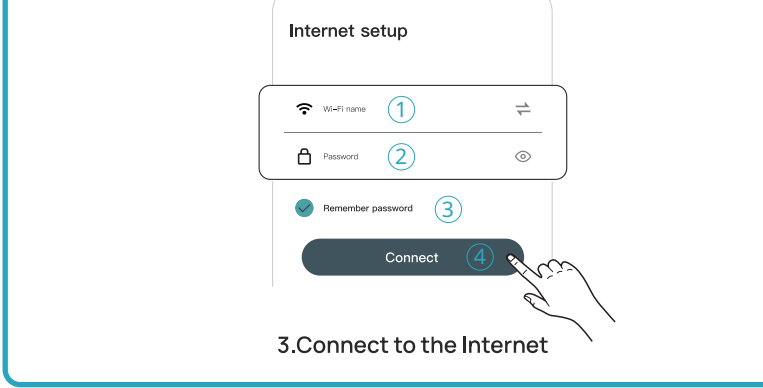


	L	N	E
US JP	●	○	●
DE FR UK IT ES	●	●	●

6 / EcoFlow App



ONLY SUPPORTS 2.4GHz WIFI



CAUTION!
Each port can be connected to AC/DC Smart Distribution Panel, Power Kit Console, or RJ45 CAN bus terminator. Both ports **MUST** be connected to stabilize communication throughout the system. **Not doing so will cause the system to malfunction.**